

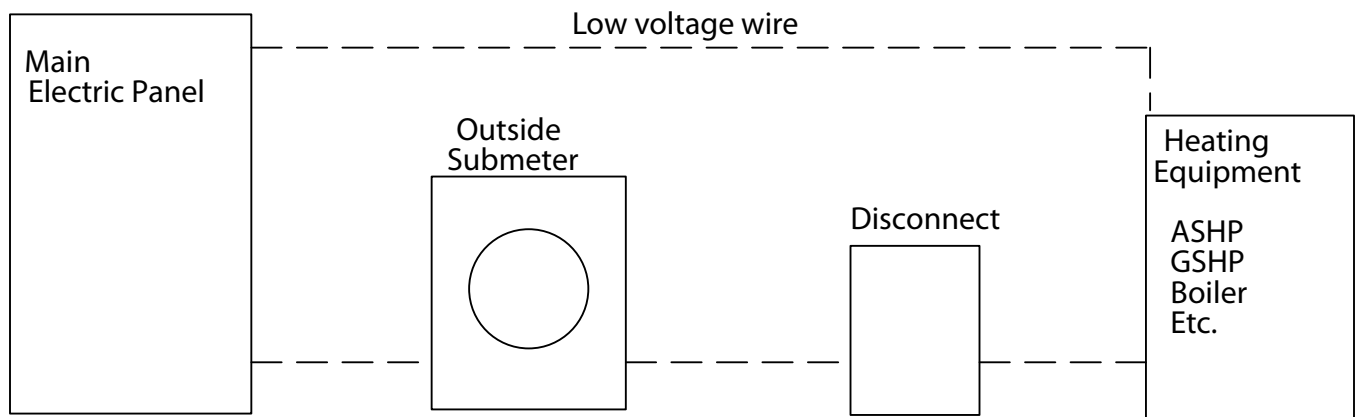
ALLAMAKEE-CLAYTON ELECTRIC COOPERATIVE

229 Hwy 51 - PO Box 715, Postville, IA 52162

Ph. (563)864-7611 or 1-888-788-1551

www.acrec.com

Submeter Installation



- 1) All submeter installations must be approved by Allamakee-Clayton Electric Co-op.
- 2) A disconnecting means is required between the submeter and heating equipment if there is not one on the equipment. Disconnect mounted inside for homeowner use.
- 3) All submeter installations must be inspected and released by local inspections department PRIOR TO METER INSTALLATION.
- 4) Low voltage wire "required" to be N/C loop that shuts down the unit, but still maintains the backup. Cooperative needs 4' N/C loop at the panel.